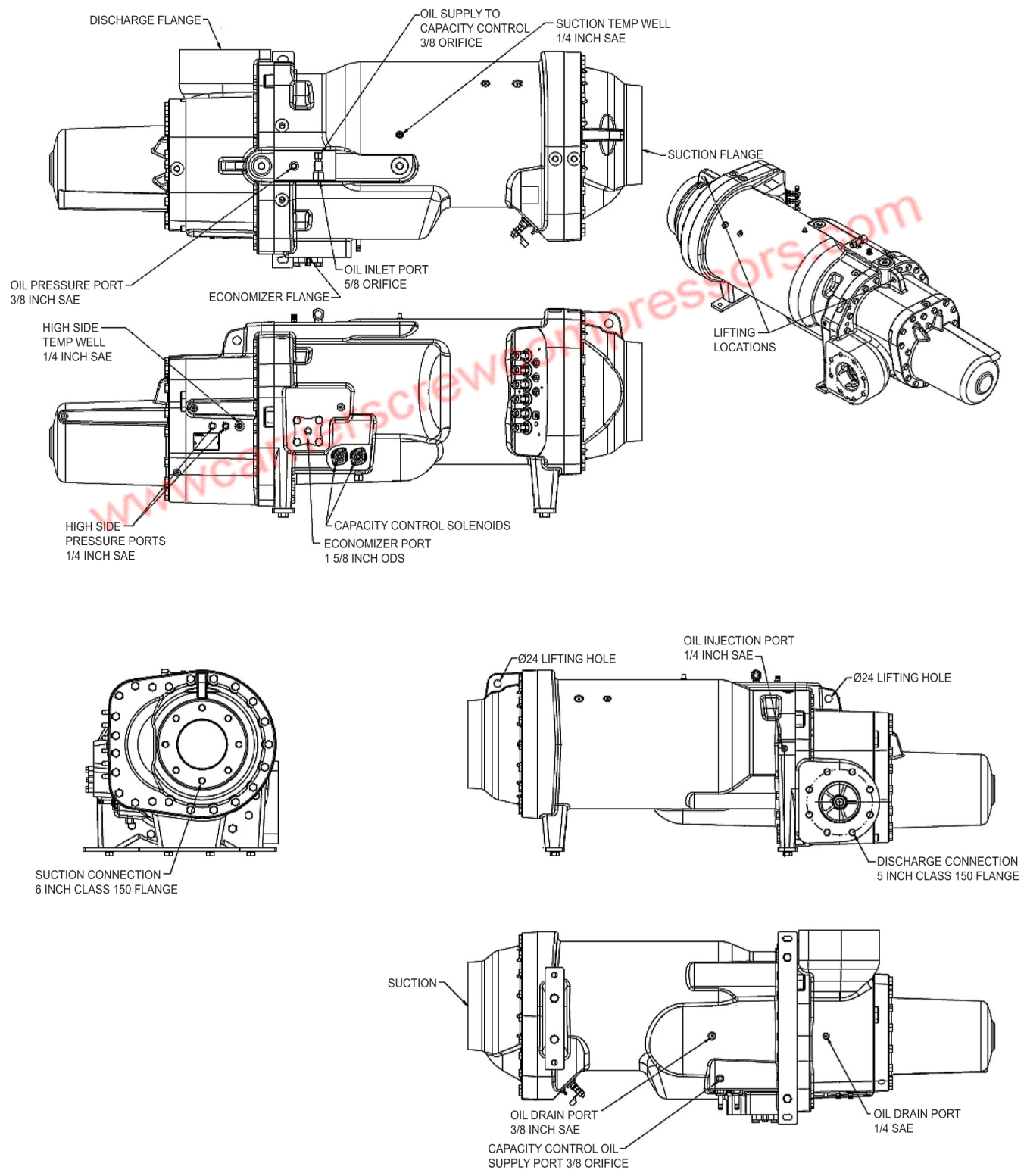


# Compressor Physical Data and Connections (cont)



**Fig. 4 — 06TV Compressor Physical Data and Connections**