

Compressor Physical Data and Connections (cont)

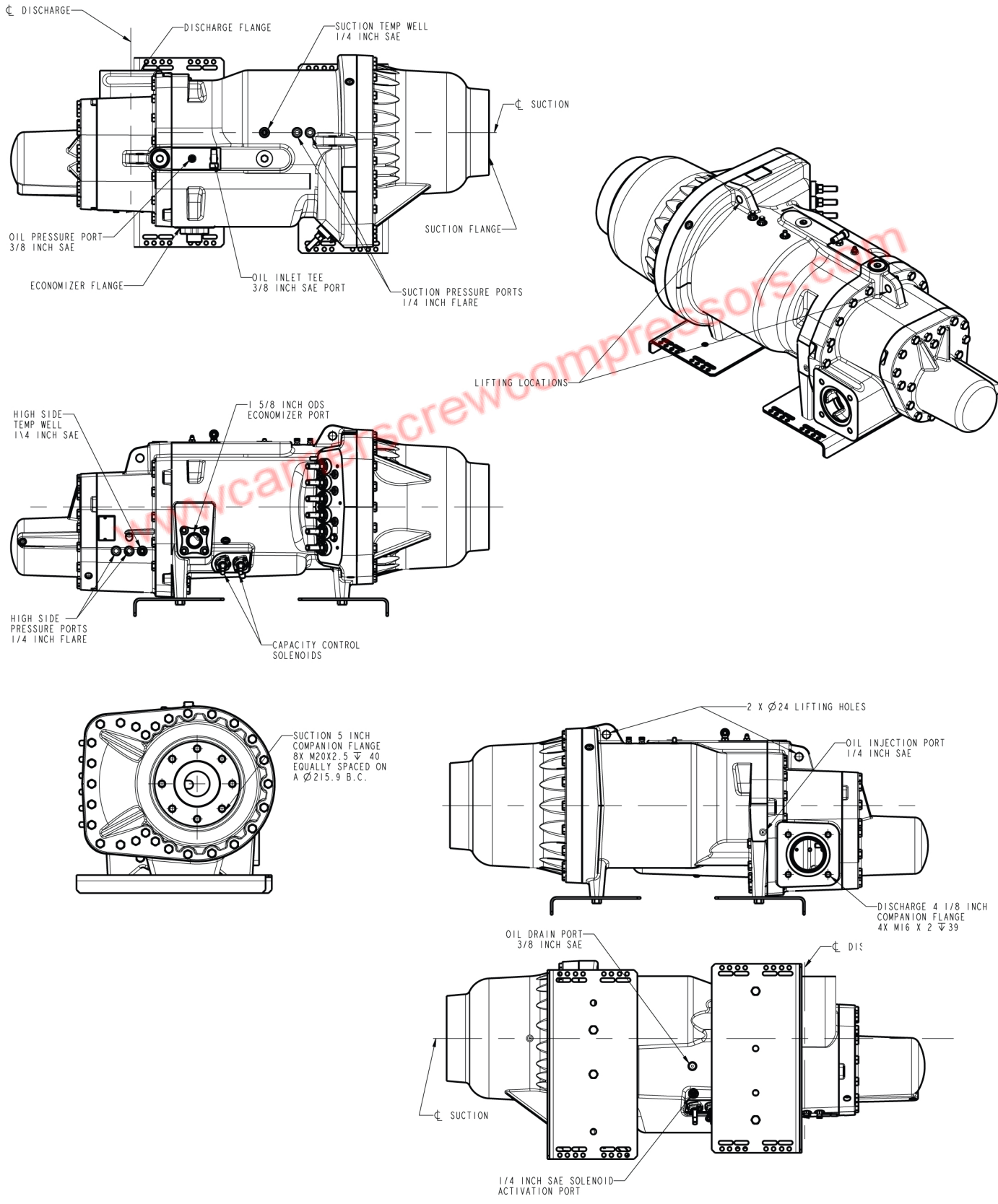


Fig. 3 — 06TU Compressor Physical Data and Connections