

Compressor Physical Data and Connections (cont)

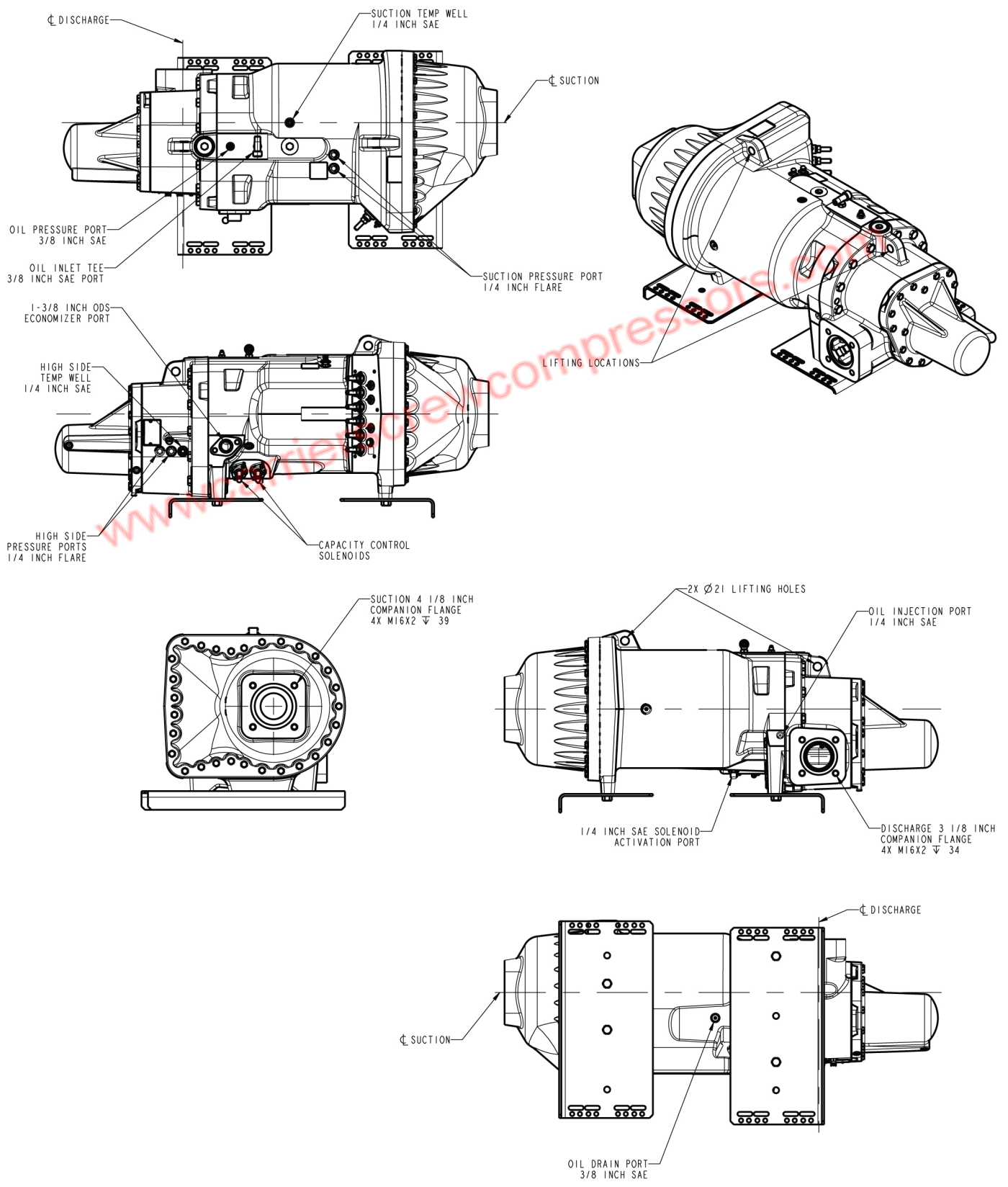


Fig. 2 — 06TT Compressor Physical Data and Connections