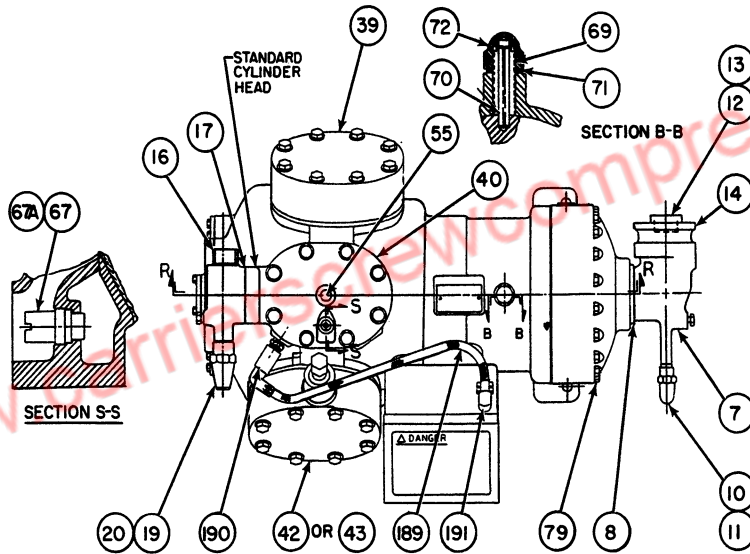
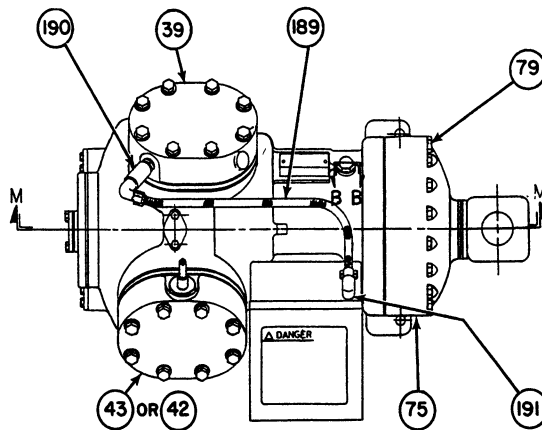


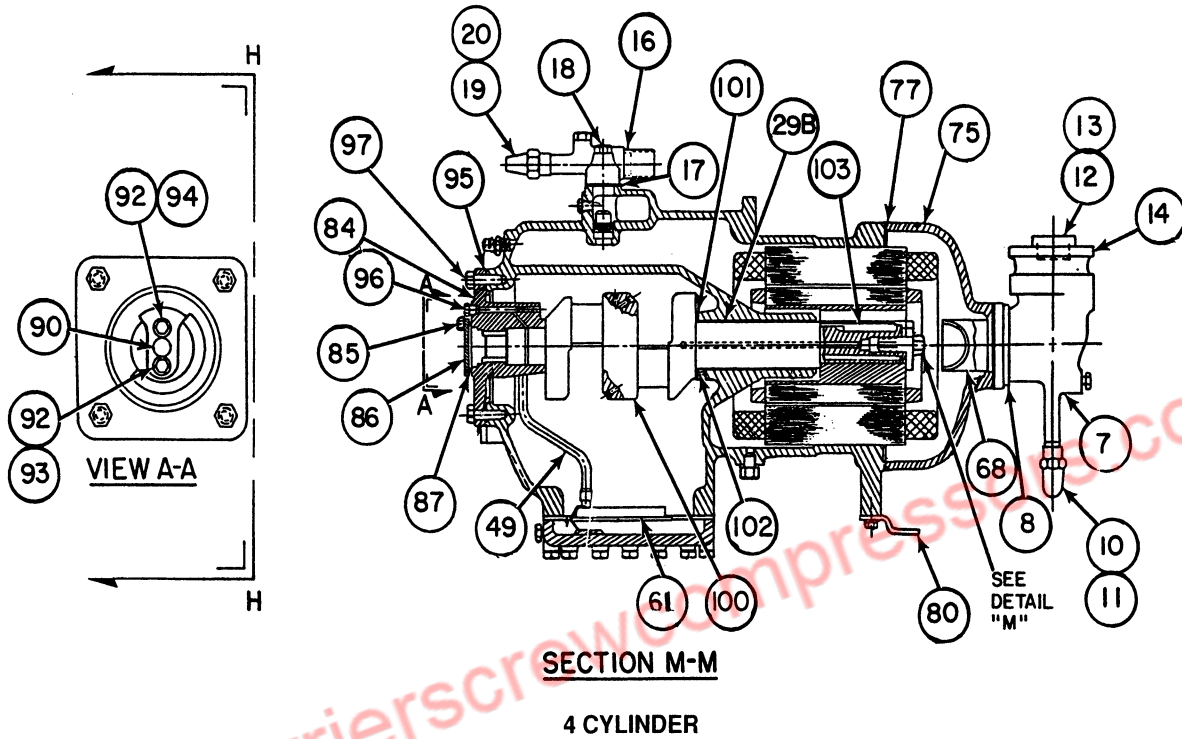
REVERSED HEAD



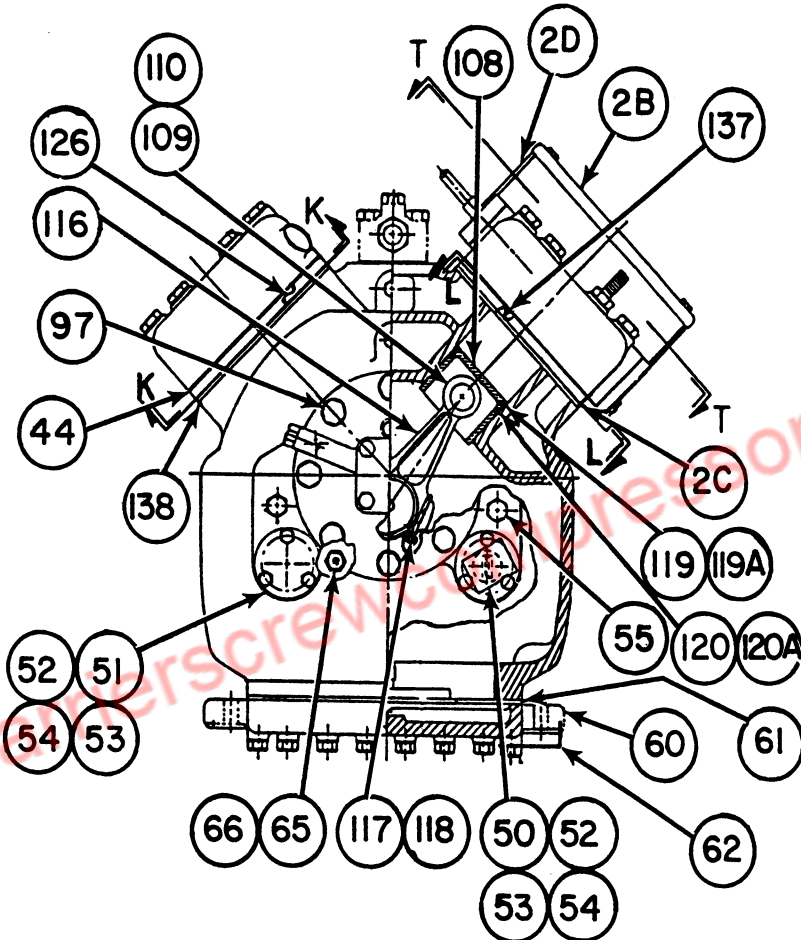
6 CYLINDER W/PRESSURE UNLOADER



4 CYLINDER W/ELECTRIC UNLOADER

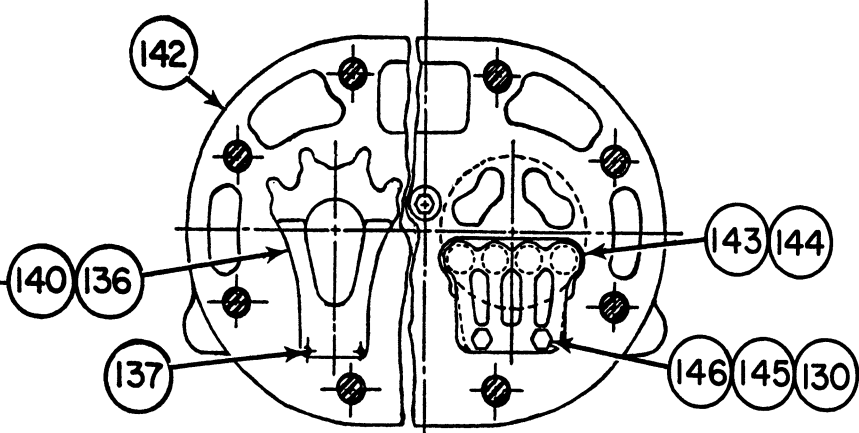


www.carrierscrew.com



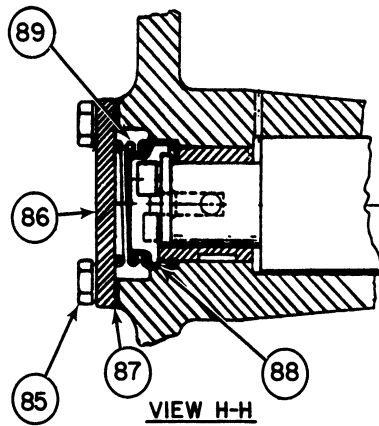
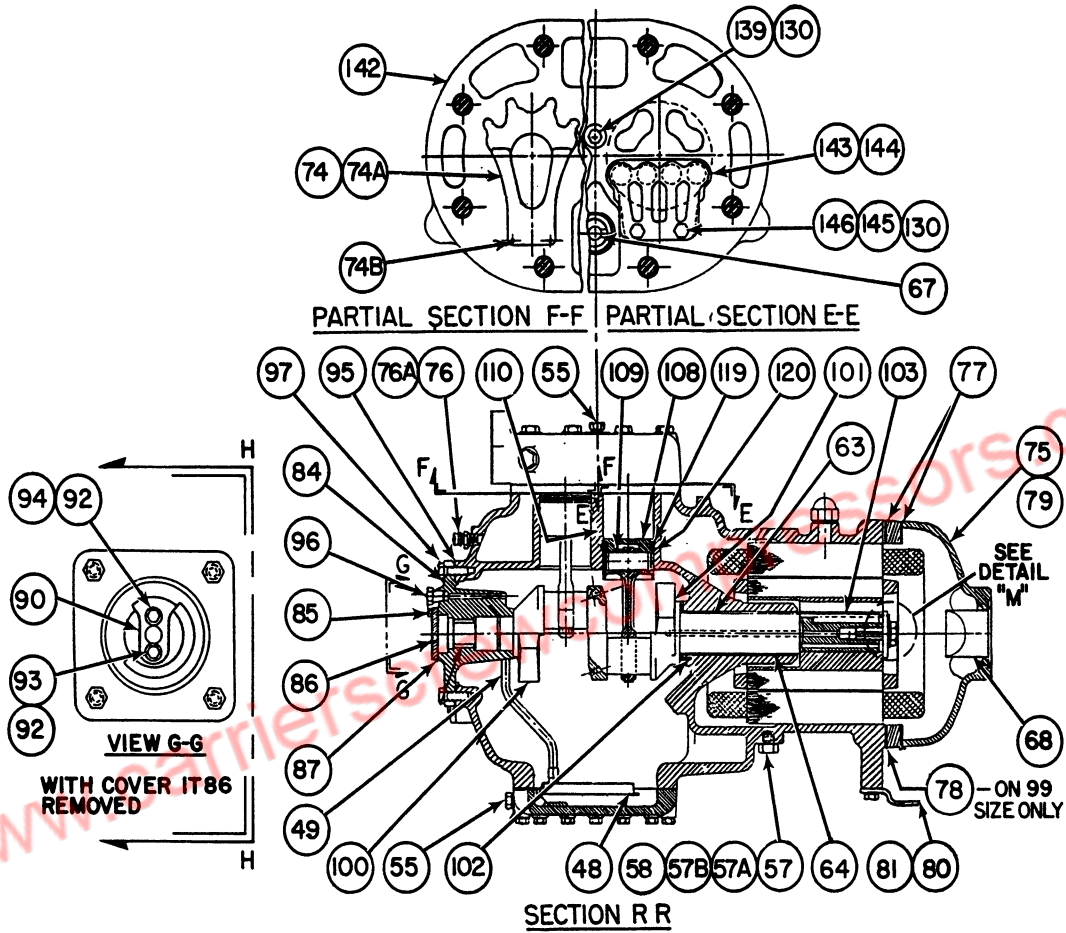
www.carlyscrews.com

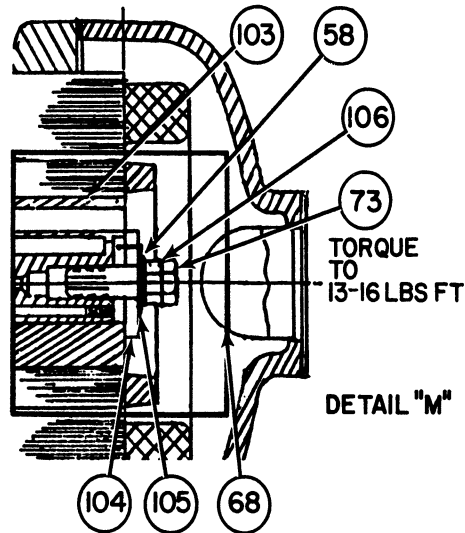
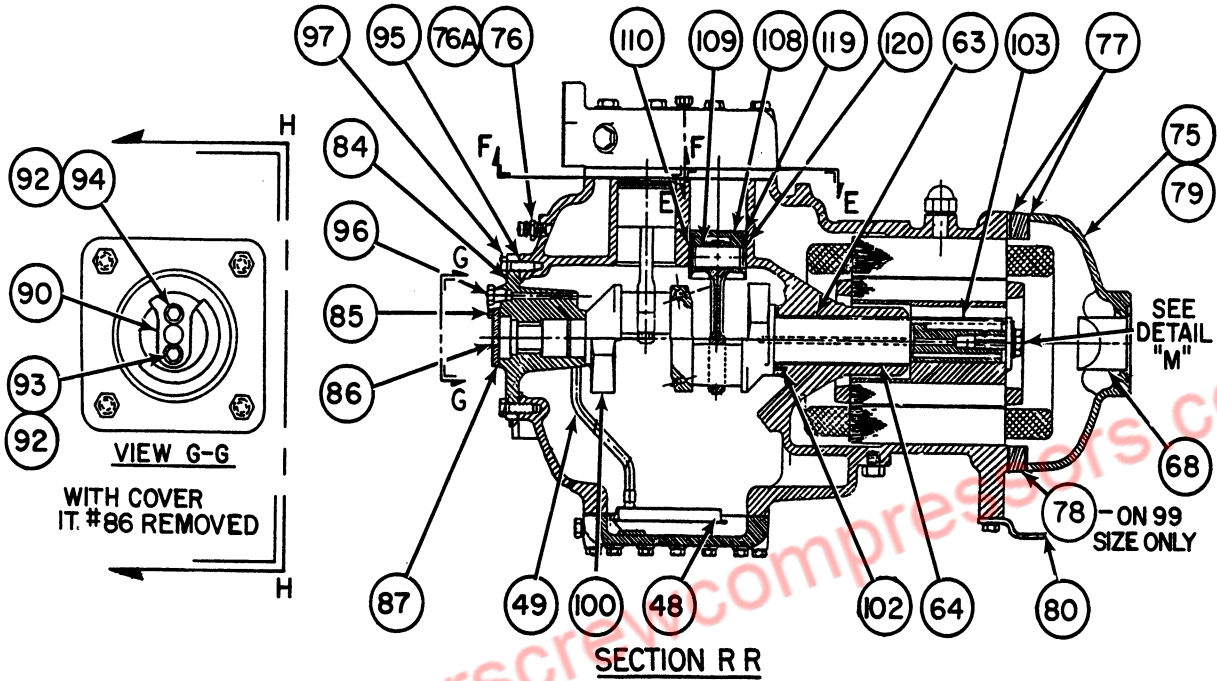
NOT USED ON
REFRIG.
MODELS

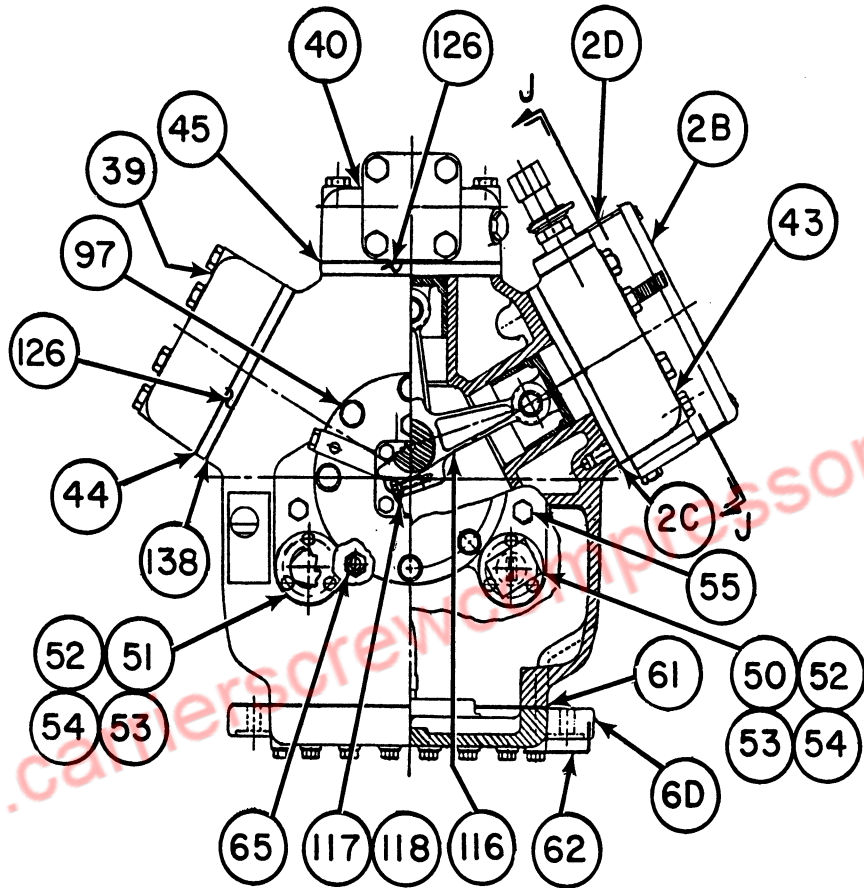


PARTIAL SECTION K-K PARTIAL SECTION L-L

4 CYLINDER

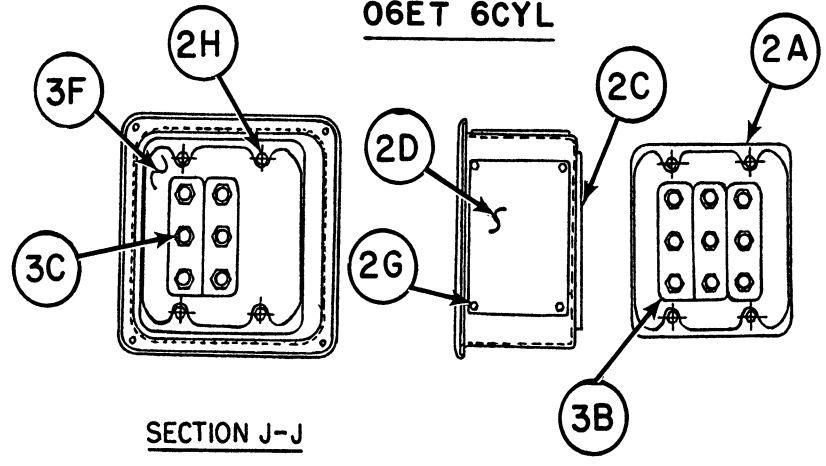


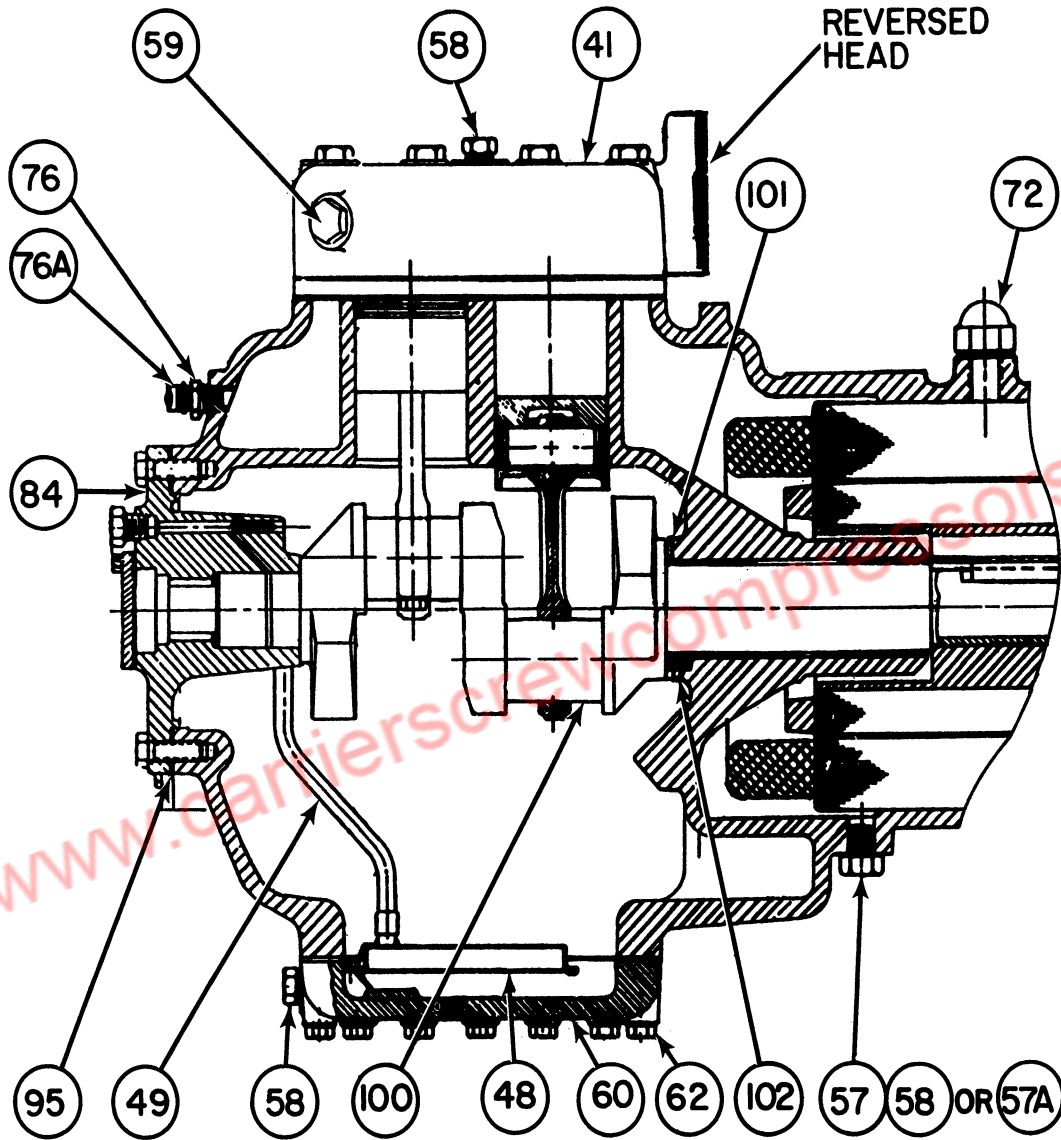




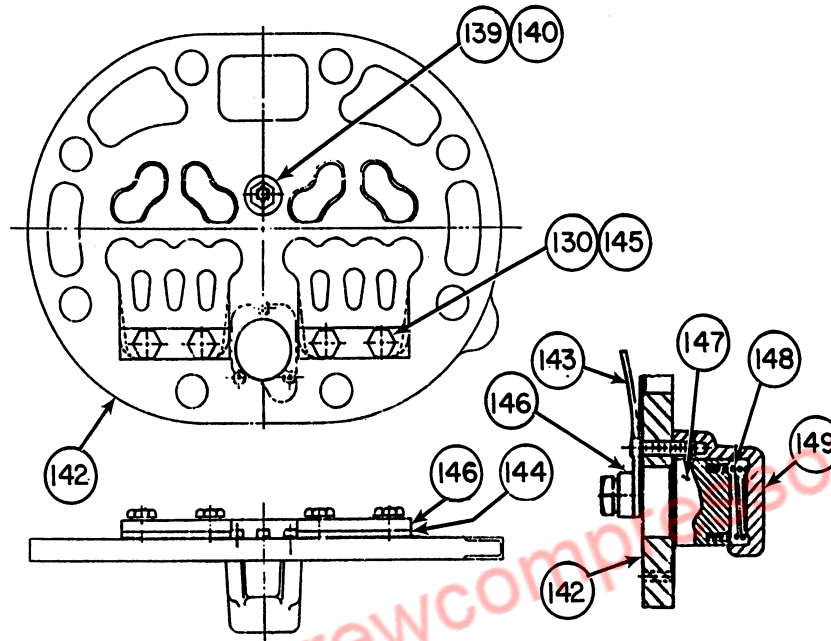
www.carlyle.com

06ET 6CYL

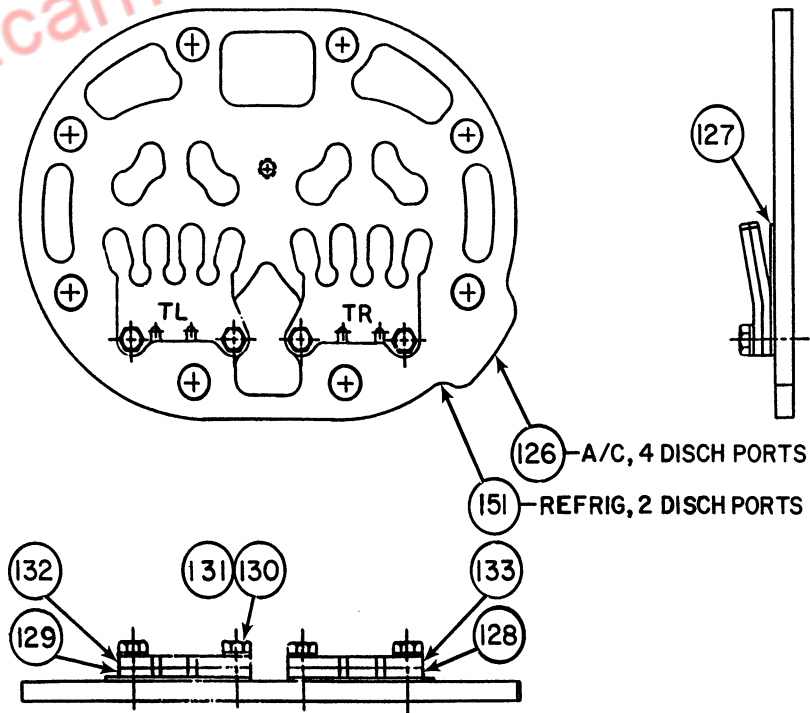




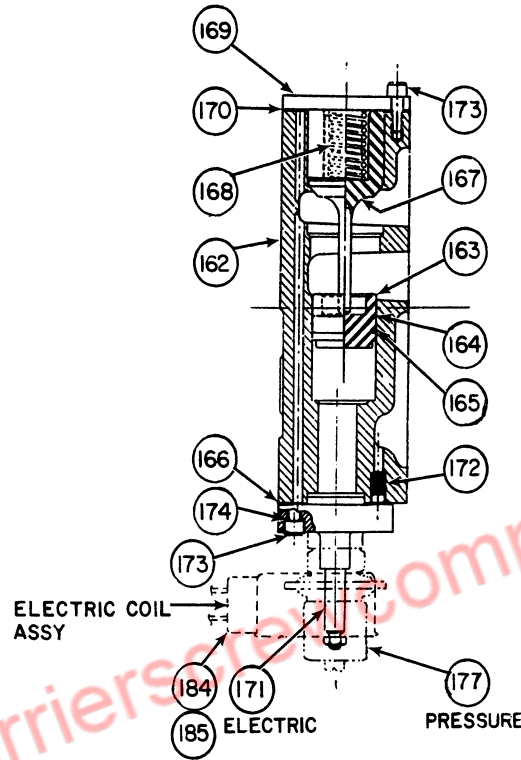
6 CYLINDER W/REVERSED HEAD



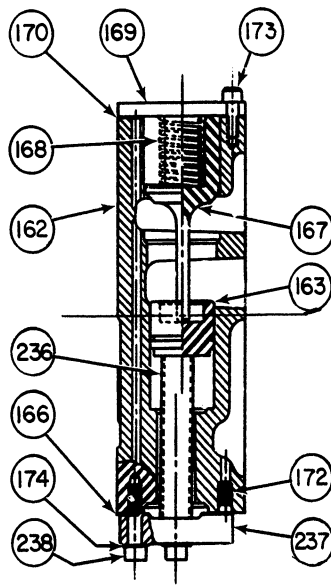
HGBP UNLOADING VALVE PLATE



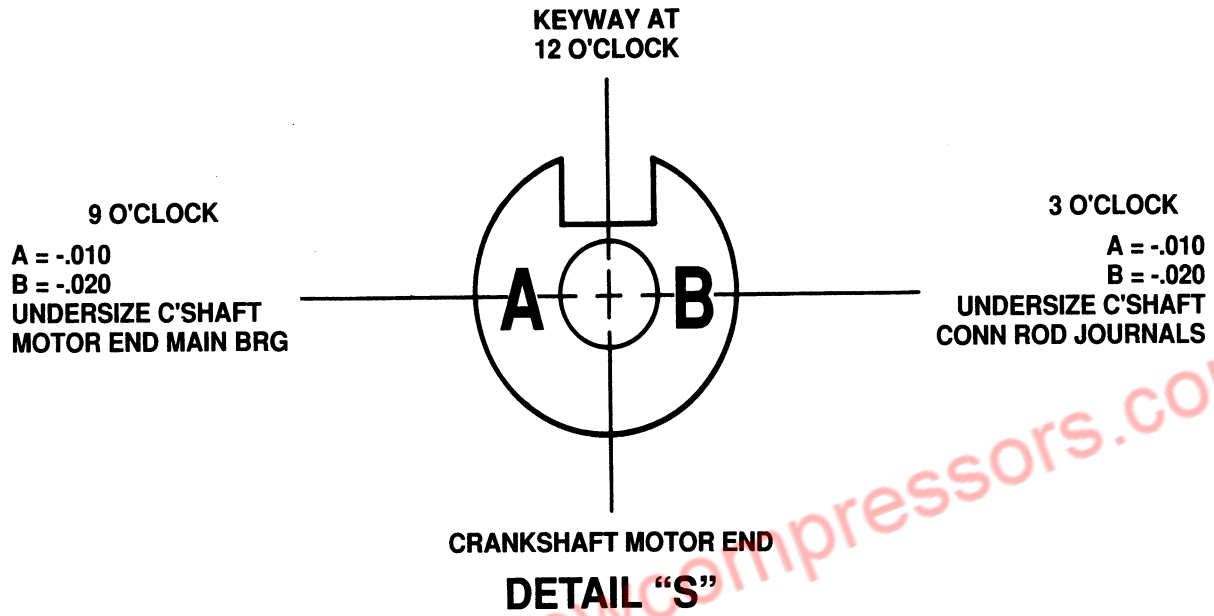
HI-EFFICIENCY VALVE PLATE



SCOU



SCOU BLOCKING



www.carrierscrewcompressors.com